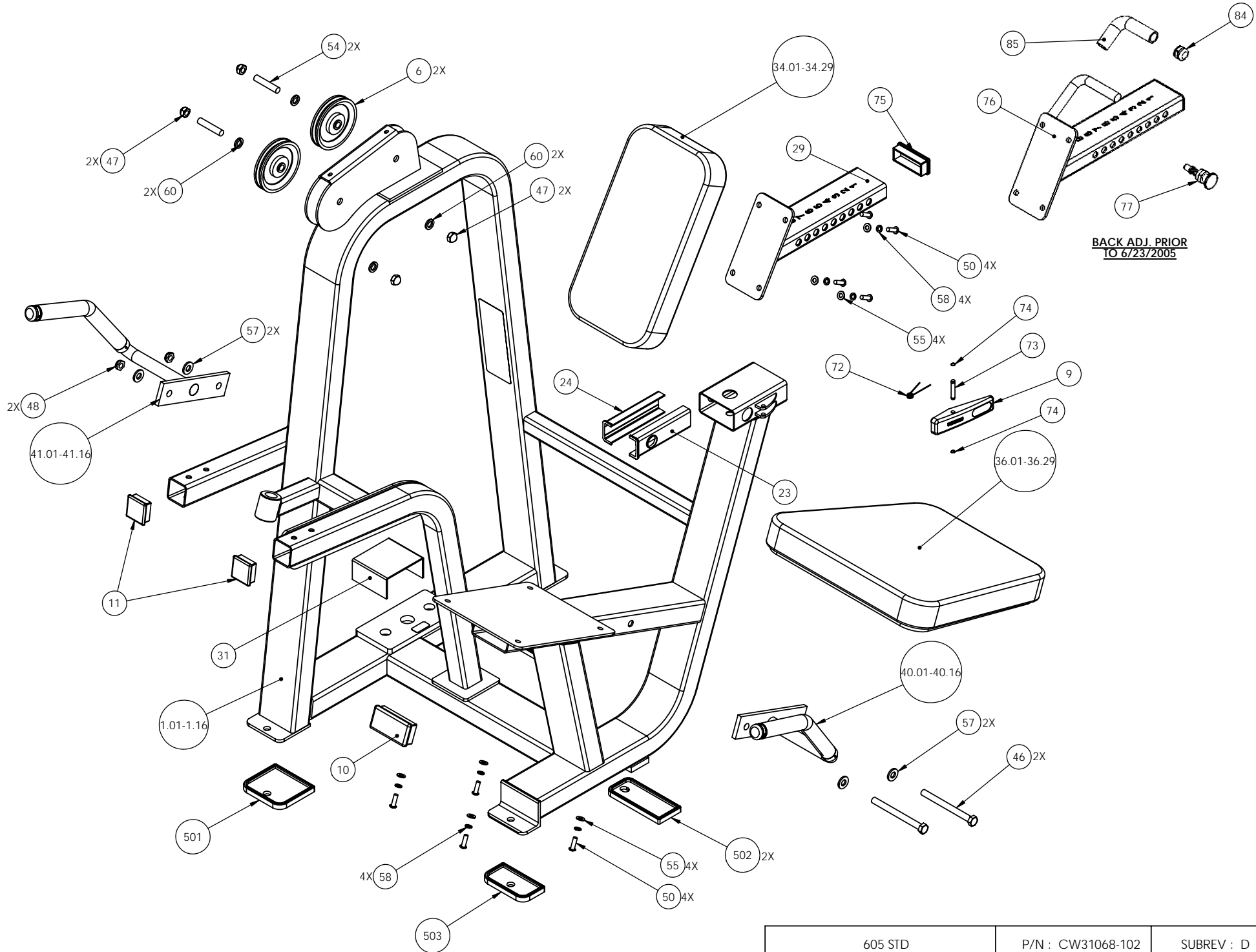
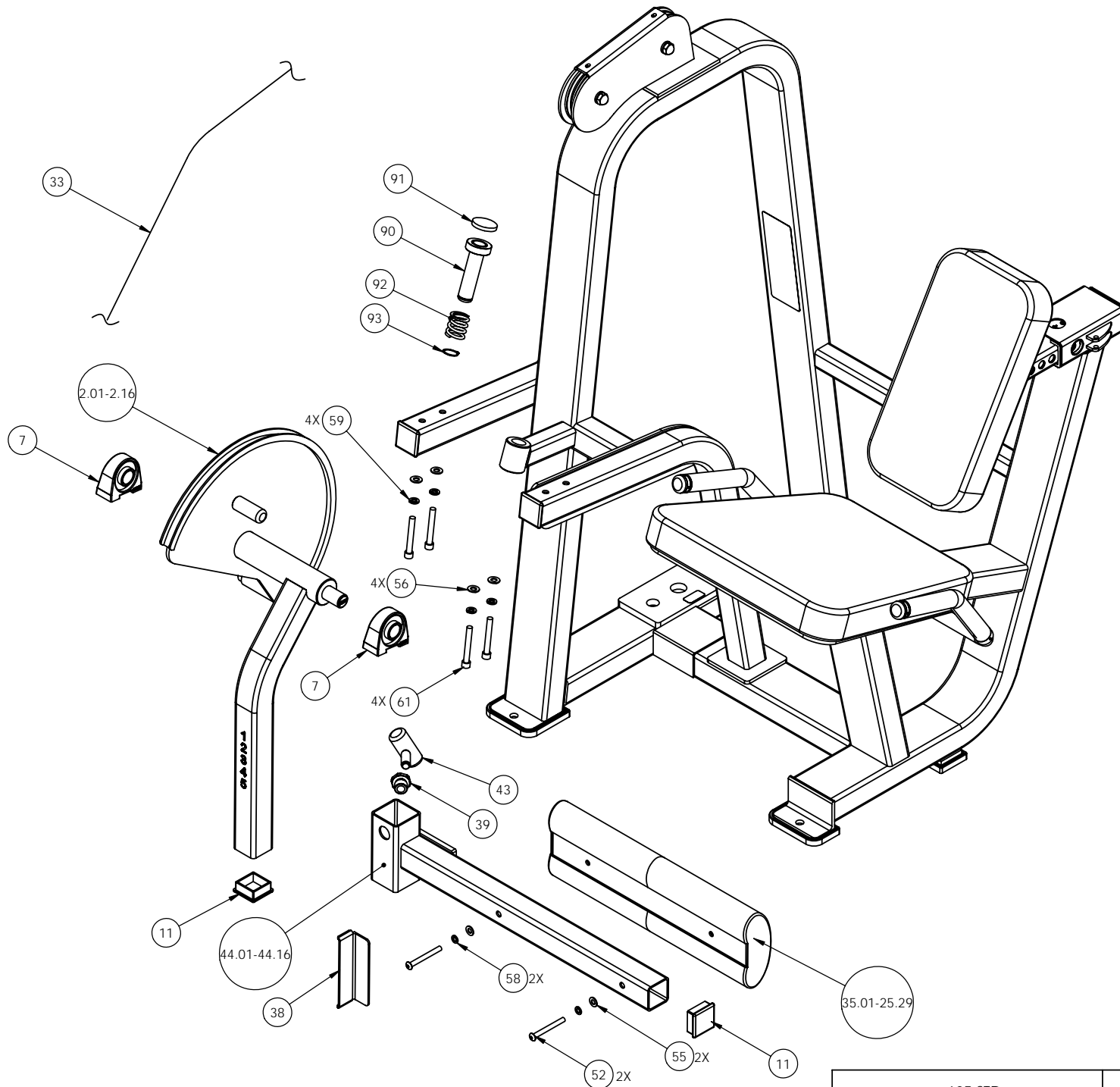


605 STD	P/N : CW31068-102	SUBREV : D
DRAWN BY : CT	DATE : 11.08.05	SHEET 1 OF 4

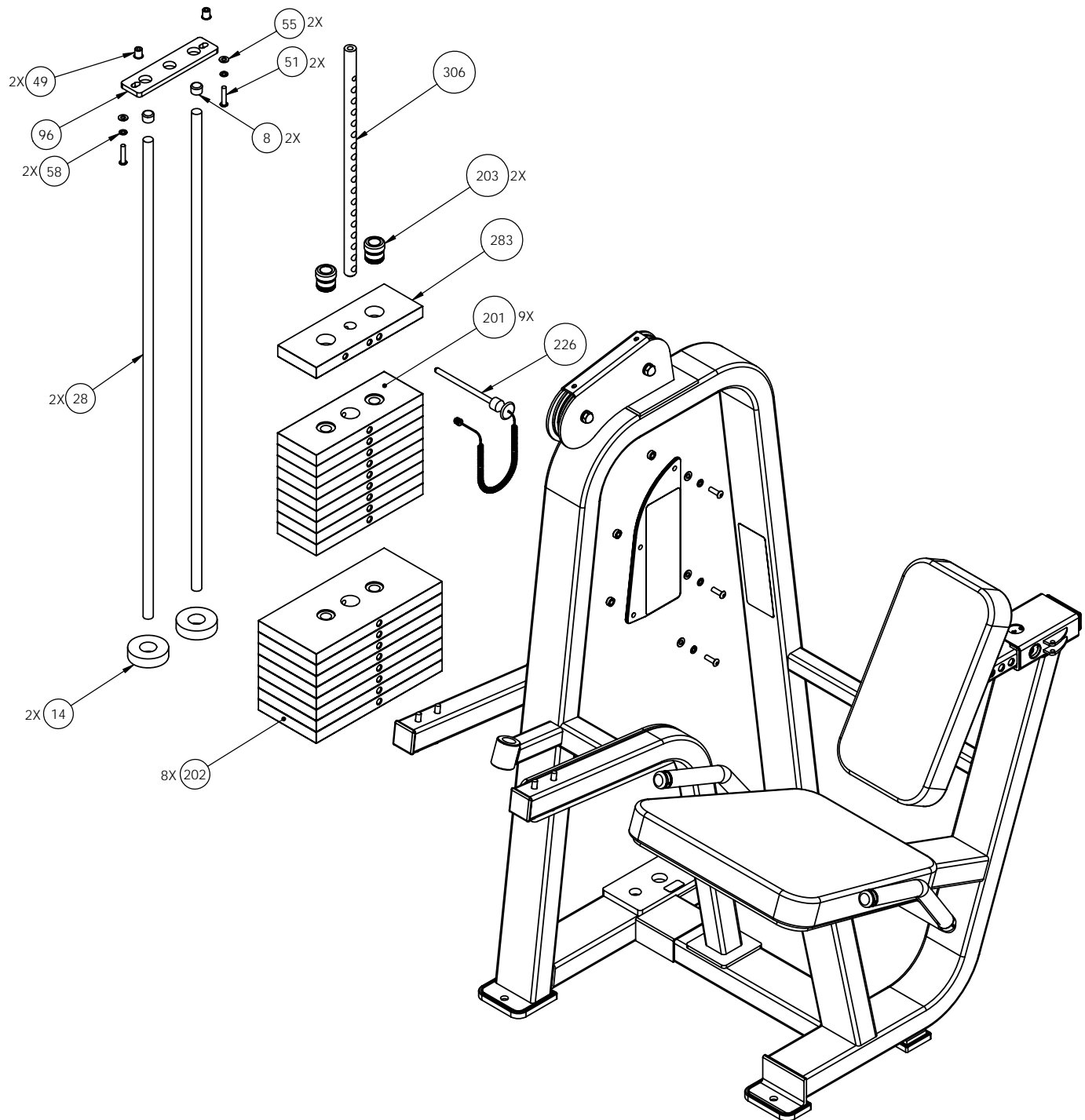


BACK ADJ. PRIOR
TO 6/23/2005

605 STD	P/N : CW31068-102	SUBREV : D
DRAWN BY : CT	DATE : 11.08.05	SHEET 2 OF 4



605 STD	P/N : CW31068-102	SUBREV : D
DRAWN BY : CT	DATE : 11.08.05	SHEET 3 OF 4



**SOME COMPONENTS
OMITTED FOR CLARITY**

605 STD	P/N : CW31068-102	SUBREV : D
DRAWN BY : CT	DATE : 11.08.05	SHEET 4 OF 4

605 Leg Extension Standard

Part Number	Description	Bubble Number
CW605SA1-211	ASSY,FRAME,MAIN,ROM/STD,605,SKY WH	1.01
CW605SA1-212	ASSY,FRAME,MAIN,ROM/STD,605,SKY WH	1.01
CW605SA1-221	ASSY,FRAME,MAIN,ROM/STD,605,BLACK	1.02
CW605SA1-222	ASSY,FRAME,MAIN,ROM/STD,605,BLACK	1.02
CW605SA1-231	ASSY,FRAME,MAIN,ROM/STD,605,RED	1.03
CW605SA1-241	ASSY,FRAME,MAIN,ROM/STD,605,PLT SPK	1.04
CW605SA1-251	ASSY,FRAME,MAIN,ROM/STD,605,SILVER	1.05
CW605SA1-261	ASSY,FRAME,MAIN,ROM/STD,605,BLUE	1.06
CW605SA1-271	ASSY,FRAME,MAIN,ROM/STD,605,CHARCL	1.07
CW605SA1-281	ASSY,FRAME,MAIN,ROM/STD,605,CTH GRY	1.08
CW605SA1-291	ASSY,FRAME,MAIN,ROM/STD,605,SLVR VN	1.09
CW605SA1-312	ASSY,FRAME,MAIN,ROM/STD,605,STNE HG	1.11
CW605SA1-321	ASSY,FRAME,MAIN,ROM/STD,605,TITN HG	1.12
CW605SA1-322	ASSY,FRAME,MAIN,ROM/STD,605,TITN HG	1.12
CW605SA1-331	ASSY,FRAME,MAIN,ROM/STD,605,WH GLSS	1.13
CW605SA1-341	ASSY,FRAME,MAIN,ROM/STD,605,BL ONYX	1.14
CW605SA1-351	ASSY,FRAME,MAIN,ROM/STD,605,LT.BRNZ	1.15
CW605SA1-352	ASSY,FRAME,MAIN,ROM/STD,605,LT.BRNZ	1.15
CW605SA1-361	ASSY,FRAME,MAIN,ROM/STD,605,SPHR BL	1.16
CW605SA1-362	ASSY,FRAME,MAIN,ROM/STD,605,SPHR BL	1.16
CW605SA2-211	ASSY,LEG LEVER,STD,605,SKY WHITE	2.01
CW605SA2-221	ASSY,LEG LEVER,STD,605,BLACK	2.02
CW605SA2-231	ASSY,LEG LEVER,STD,605,RED	2.03
CW605SA2-241	ASSY,LEG LEVER,STD,605,PLATINUM SPR	2.04
CW605SA2-251	ASSY,LEG LEVER,STD,605,SILVER	2.05
CW605SA2-261	ASSY,LEG LEVER,STD,605,BLUE	2.06
CW605SA2-271	ASSY,LEG LEVER,STD,605,CHARCOAL	2.07
CW605SA2-281	ASSY,LEG LEVER,STD,605,CATHEDRAL GR	2.08
CW605SA2-291	ASSY,LEG LEVER,STD,605,SILVER VIEN	2.09
CW605SA2-311	ASSY,LEG LEVER,STD,605,STONE HG	2.11
CW605SA2-321	ASSY,LEG LEVER,STD,605,TITANIUM HG	2.12
CW605SA2-331	ASSY,LEG LEVER,STD,605,WHITE GLOSS	2.13
CW605SA2-341	ASSY,LEG LEVER,STD,605,BLACK ONYX	2.14
CW605SA2-351	ASSY,LEG LEVER,STD,605,LIGHT BRONZE	2.15
CW605SA2-361	ASSY,LEG LEVER,STD,605,SAPPHIRE BLU	2.16
CW605SA7-211	ASSY,CAM,ROM,605,SKY WHITE	3.01
CW605SA7-221	ASSY,CAM,ROM,605,BLACK	3.02
CW605SA7-231	ASSY,CAM,ROM,605,RED	3.03
CW605SA7-241	ASSY,CAM,ROM,605,PLATINUM SPRKL	3.04
CW605SA7-251	ASSY,CAM,ROM,605,SILVER	3.05
CW605SA7-261	ASSY,CAM,ROM,605,BLUE	3.06
CW605SA7-271	ASSY,CAM,ROM,605,CHARCOAL	3.07
CW605SA7-281	ASSY,CAM,ROM,605,CATHEDRAL GREY	3.08
CW605SA7-291	ASSY,CAM,ROM,605,SILVER VIEN	3.09
CW605SA7-321	ASSY,CAM,ROM,605,TITANIUM HG	3.12
CW605SA7-331	ASSY,CAM,ROM,605,WHITE GLOSS	3.13
CW605SA7-341	ASSY,CAM,ROM,605,BLACK ONYX	3.14
CW605SA7-351	ASSY,CAM,ROM,605,LIGHT BRONZE	3.15
CW605SA7-361	ASSY,CAM,ROM,605,SAPPHIRE BLUE	3.16

CWAC1009-101	PULLEY, 4 1/2 DIA. X 1/2 ID	6
CW12406-101	PILLOW BLOCK, BEARING, 2 BOLT	7
CW12404-101	CAP, GUIDE ROD, DIA 3/4, BLK	8
CW32460-321	ASSY, RATCHETING LEVER, TITANIUM	9
CW11311-102	ENDCAP, REC TUBE, 2X4, BLK PLASTIC	10
CW11311-103	ENDCAP, REC TUBE, 2X2, BLK PLASTIC	11
CW12402-101	BUMPER, WEIGHT STACK, BLK RUBBER	14
CWGR2612-000	GRIP, RUBBER, 1" DIA, 12"	16
CWGR2612-000	GRIP, RUBBER, 1" DIA, 12"	19
CWAC1228-901	SPACER, ALU, .328 ID X .625 OD X .25	20
CWAC218-901	HANDLE END CAP W/SET SCREWS, DIA 1"	20
CWAC1183-101	LABEL, "WARNING, SERIOUS INJURY.."	21
CWAC219-902	HNDL RETAINER RNG, W/SS, 1.040" I.D.	21
CWAC1232-101	LABEL, ROUND, "PIVOT"	22
CWAC1236-102	GUIDE INSERT, PLASTIC WITH HOLE, BL	23
CWAC1228-901	SPACER, ALU, .328 ID X .625 OD X .25	24
CWAC1236-101	GUIDE INSERT, PLASTIC WITHOUT HOLE,	24
CWGR2603-000	GRIP, RUBBER, 1" DIA., 3"	24
CWAC218-901	HANDLE END CAP W/SET SCREWS, DIA 1"	25
CWAC219-902	HNDL RETAINER RNG, W/SS, 1.040" I.D.	26
CWPF1212-711	GUIDE ROD, 3/4 X 42 5/8 (#4), CHM	28
CW32218-712	ASSEMBLY, BACKPAD ADJUSTMENT, 9 HOL	29
CWCP8104-000	CP, ABS CHANNEL, 1/8 X 2 X 4 X 4	31
CWGR2603-500	GRIP, RUBBER, 1" DIA X 3 1/2"	32
CWCLGH069-000	ASSY, CABLE, 605, 619	33
CWPD1105B-101	PAD, 9X17, 4HOLES, W/BP, BLACK	34.01
CWPD1105B-102	PAD, 9X17, 4HOLES, W/BP, RYL BL	34.02
CWPD1105B-103	PAD, 9X17, 4HOLES, W/BP, DVE GRY	34.03
CWPD1105B-104	PAD, 9X17, 4HOLES, W/BP, CROCUS	34.04
CWPD1105B-105	PAD, 9X17, 4HOLES, W/BP, GROTTA	34.05
CWPD1105B-106	PAD, 9X17, 4HOLES, W/BP, GRAPHITE	34.06
CWPD1105B-107	PAD, 9X17, 4HOLES, W/BP, RED	34.07
CWPD1105B-108	PAD, 9X17, 4HOLES, W/BP, CHN GRN	34.08
CWPD1105B-109	PAD, 9X17, 4HOLES, W/BP, TURQSE	34.09
CWPD1105B-110	PAD, 9X17, 4HOLES, W/BP, RASP	34.1
CWPD1105B-111	PAD, 9X17, 4HOLES, W/BP, PLUM	34.11
CWPD1105B-112	PAD, 9X17, 4HOLES, W/BP, REGIMENT	34.12
CWPD1105B-113	PAD, 9X17, 4HOLES, W/BP, SPC BLUE	34.13
CWPD1105B-115	PAD, 9X17, 4HOLES, W/BP, BLK LTHR	34.15
CWPD1105B-116	PAD, 9X17, 4HOLES, W/BP, NVBL LTH	34.16
CWPD1105B-117	PAD, 9X17, 4HOLES, W/BP, PUTTY	34.17
CWPD1105B-118	PAD, 9X17, 4HOLES, W/BP, IMPRL BLUE	34.18
CWPD1105B-119	PAD, 9X17, 4HOLES, W/BP, YEW GREEN	34.19
CWPD1105B-120	PAD, 9X17, 4HOLES, W/BP, DUSTY JADE	34.2
CWPD1105B-121	PAD, 9X17, 4HOLES, W/BP, TERRA COTTA	34.21
CWPD1105B-122	PAD, 9X17, 4HOLES, W/BP, PAPRIKA	34.22
CWPD1105B-123	PAD, 9X17, 4HOLES, W/BP, ASH LTHR	34.23
CWPD1105B-124	PAD, 9X17, 4HOLES, W/BP, CERULEAN LTHR	34.24
CWPD1105B-125	PAD, 9X17, 4HOLES, W/BP, CHARCOAL LTHR	34.25
CWPD1105B-126	PAD, 9X17, 4HOLES, W/BP, HUNTER LTHR	34.26
CWPD1105B-127	PAD, 9X17, 4HOLES, W/BP, MOSS LTHR	34.27

CWPD1105B-128	PAD,9X17,4HOLES,W/BP,SPICE LTHR	34.28
CWPD1105B-129	PAD,9X17,4HOLES,W/BP,TOMATO LTHR	34.29
CWPD1141J-101	PAD,4X19,2HOLES,W/BP,BLACK, W/SLIP	35.01
CWPD1141J-102	PAD,4X19,2HOLES,W/BP,RYL BL, W/SLIP	35.02
CWPD1141J-103	PAD,4X19,2HOLES,W/BP,DVE GRY, W/SLI	35.03
CWPD1141J-104	PAD,4X19,2HOLES,W/BP,CROCUS, W/SLIP	35.04
CWPD1141J-105	PAD,4X19,2HOLES,W/BP,GROTTO, W/SLIP	35.05
CWPD1141J-106	PAD,4X19,2HOLES,W/BP,GRAPHITE, W/SL	35.06
CWPD1141J-107	PAD,4X19,2HOLES,W/BP,RED, W/SLIP	35.07
CWPD1141J-108	PAD,4X19,2HOLES,W/BP,CHN GRN, W/SLI	35.08
CWPD1141J-109	PAD,4X19,2HOLES,W/BP,TURQSE,W/SLIP	35.09
CWPD1141J-110	PAD,4X19,2HOLES,W/BP,RASP,W/SLIP	35.1
CWPD1141J-111	PAD,4X19,2HOLES,W/BP,PLUM, W/SLIP	35.11
CWPD1141J-112	PAD,4X19,2HOLES,W/BP,REGIMENT, W/SLI	35.12
CWPD1141J-113	PAD,4X19,2HOLES,W/BP,SPC BLUE,W/SLI	35.13
CWPD1141J-115	PAD,4X19,2HOLES,W/BP,BLK LTHR,W/SLI	35.15
CWPD1141J-116	PAD,4X19,2HOLES,W/BP,NVBL LTH,W/SLI	35.16
CWPD1141J-117	PAD,4X19,2HOLES,W/BP,PUTTY,W/SLIP	35.17
CWPD1141J-118	PAD,4X19,2HOLES,W/BP,IMPRL BL,W/SLI	35.18
CWPD1141J-120	PAD,4X19,2HOLES,W/BP,DSTY JD,W/SLIP	35.2
CWPD1141J-121	PAD,4X19,2HOLES,W/BP,TER COT,W/SLIP	35.21
CWPD1141J-122	PAD,4X19,2HOLES,W/BP,PAPRIKA,W/SLIP	35.22
CWPD1141J-123	PAD,4X19,2HOLES,W/BP,ASH LTHR,W/SLI	35.23
CWPD1141J-124	PAD,4X19,2HOLES,W/BP,CERULEAN LTHR,	35.24
CWPD1141J-125	PAD,4X19,2HOLES,W/BP,CHARCOAL LTHR,	35.25
CWPD1141J-126	PAD,4X19,2HOLES,W/BP,HUNTER LTHR,W/	35.26
CWPD1141J-127	PAD,4X19,2HOLES,W/BP,MOSS LTHR,W/SL	35.27
CWPD1141J-128	PAD,4X19,2HOLES,W/BP,SPICE LTHR,W/S	35.28
CWPD1141J-129	PAD,4X19,2HOLES,W/BP,TOMATO LTHR,W/	35.29
CWPD1204J-101	PAD,14-1/8X18X18.5,4HL,W/BP,BLACK,W	36.01
CWPD1204J-102	PAD,14-1/8X18X18.5,4HL,W/BP,RYL BL,	36.02
CWPD1204J-103	PAD,14-1/8X18X18.5,4HL,W/BP,DVE GRY	36.03
CWPD1204J-104	PAD,14-1/8X18X18.5,4HL,W/BP,CROCUS,	36.04
CWPD1204J-105	PAD,14-1/8X18X18.5,4HL,W/BP,GROTTO,	36.05
CWPD1204J-106	PAD,14-1/8X18X18.5,4HL,W/BP,GRAPHIT	36.06
CWPD1204J-107	PAD,14-1/8X18X18.5,4HL,W/BP,RED,W/S	36.07
CWPD1204J-108	PAD,14-1/8X18X18.5,4HL,W/BP,CHN GRN	36.08
CWPD1204J-109	PAD,14-1/8X18X18.5,4HL,W/BP,TURQSE,	36.09
CWPD1204J-110	PAD,14-1/8X18X18.5,4HL,W/BP,RASP,W/	36.1
CWPD1204J-111	PAD,14-1/8X18X18.5,4HL,W/BP,PLUM,W/	36.11
CWPD1204J-112	PAD,14-1/8X18X18.5,4HL,W/BP,REGIMEN	36.12
CWPD1204J-113	PAD,14-1/8X18X18.5,4HL,W/BP,SPC BLU	36.13
CWPD1204J-115	PAD,14-1/8X18X18.5,4HL,W/BP,BLK LTH	36.15
CWPD1204J-116	PAD,14-1/8X18X18.5,4HL,W/BP,NVBL LT	36.16
CWPD1204J-118	PAD,14-1/8X18X18.5,4HL,W/BP,IMPL BL	36.18
CWPD1204J-119	PAD,14-1/8X18X18.5,4HL,W/BP,YEW GRN	36.19
CWPD1204J-120	PAD,14-1/8X18X18.5,4HL,W/BP,DSTY JD	36.2
CWPD1204J-121	PAD,14-1/8X18X18.5,4HL,W/BP,TER COT	36.21
CWPD1204J-122	PAD,14-1/8X18X18.5,4HL,W/BP,PAPRIKA	36.22
CWPD1204J-123	PAD,14-1/8X18X18.5,4HL,W/BP,ASH LTH	36.23
CWPD1204J-124	PAD,14.13X18X18.5,4H,W/BP,CERLN LTH	36.24

CWPD1204J-125	PAD,14.13X18X18.5,4H,W/BP,CHRCL LTH	36.25
CWPD1204J-126	PAD,14.13X18X18.5,4L,W/BP,HUNTR LTH	36.26
CWPD1204J-127	PAD,14-1/8X18X18.5,4H,W/BP,MOSS LTH	36.27
CWPD1204J-128	PAD,14-1/8X18X18.5,4H,W/BP,SPCE LTH	36.28
CWPD1204J-129	PAD,14-1/8X18X18.5,4H,W/BP,TOMT LTH	36.29
CWPF1016-731	BAR,,FLAT CR/HR, 3/8 X 2 X 8 1/4, 3	37
CWPF1553-901	ANGLE,STAINLESS STEEL, 1/8 X 1 1/2	38
CWPF1980-731	T-HANDLE INSERT, BLK ZN	39
CWSA1082L-211	ASSY,HANDLE ,LT,SKY WHITE	40.01
CWSA1082L-221	ASSY,HANDLE ,LT,BLACK	40.02
CWSA1082L-231	ASSY,HANDLE ,LT,RED	40.03
CWSA1082L-241	ASSY,HANDLE ,LT,PLATINUM SPRKL	40.04
CWSA1082L-251	ASSY,HANDLE ,LT,SILVER	40.05
CWSA1082L-261	ASSY,HANDLE ,LT,BLUE	40.06
CWSA1082L-271	ASSY,HANDLE ,LT,CHARCOAL	40.07
CWSA1082L-281	ASSY,HANDLE ,LT,CATHEDRAL GREY	40.08
CWSA1082L-291	ASSY,HANDLE ,LT,SILVER VIEN	40.09
CWSA1082L-311	ASSY,HANDLE ,LT,STONE HG	40.11
CWSA1082L-321	ASSY,HANDLE ,LT,TITANIUM HG	40.12
CWSA1082L-331	ASSY,HANDLE ,LT,WHITE GLOSS	40.13
CWSA1082L-341	ASSY,HANDLE ,LT,BLACK ONYX	40.14
CWSA1082L-351	ASSY,HANDLE ,LT,LIGHT BRONZE	40.15
CWSA1082L-361	ASSY,HANDLE ,LT,SAPPHIRE BLUE	40.16
CWSA1082R-211	ASSY,HANDLE ,RT,SKY WHITE	41.01
CWSA1082R-221	ASSY,HANDLE ,RT,BLACK	41.02
CWSA1082R-231	ASSY,HANDLE ,RT,RED	41.03
CWSA1082R-241	ASSY,HANDLE ,RT,PLATINUM SPRKL	41.04
CWSA1082R-251	ASSY,HANDLE ,RT,SILVER	41.05
CWSA1082R-261	ASSY,HANDLE ,RT,BLUE	41.06
CWSA1082R-271	ASSY,HANDLE ,RT,CHARCOAL	41.07
CWSA1082R-281	ASSY,HANDLE ,RT,CATHEDRAL GREY	41.08
CWSA1082R-291	ASSY,HANDLE ,RT,SILVER VIEN	41.09
CWSA1082R-311	ASSY,HANDLE ,RT,STONE HG	41.11
CWSA1082R-321	ASSY,HANDLE ,RT,TITANIUM HG	41.12
CWSA1082R-331	ASSY,HANDLE ,RT,WHITE GLOSS	41.13
CWSA1082R-341	ASSY,HANDLE ,RT,BLACK ONYX	41.14
CWSA1082R-351	ASSY,HANDLE ,RT,LIGHT BRONZE	41.15
CWSA1082R-361	ASSY,HANDLE ,RT,SAPPHIRE BLUE	41.16
CW30799-731	ASSY, SPRING STOP, BLK ZN	42
CWSA1610-731	WELDMENT, T-HANDLE ADJUSTER, BLACK	43
CWSA1611-211	ASSY,LEG ADJUSTMENT,SKY WHITE	44.01
CWSA1611-221	ASSY,LEG ADJUSTMENT,BLACK	44.02
CWSA1611-231	ASSY,LEG ADJUSTMENT,RED	44.03
CWSA1611-241	ASSY,LEG ADJUSTMENT,PLAT SPKLE	44.04
CWSA1611-251	ASSY,LEG ADJUSTMENT,SILVER	44.05
CWSA1611-261	ASSY,LEG ADJUSTMENT,BLUE	44.06
CWSA1611-271	ASSY,LEG ADJUSTMENT,CHARCOAL	44.07
CWSA1611-281	ASSY,LEG ADJUSTMENT,CATH GRY	44.08
CWSA1611-291	ASSY,LEG ADJUSTMENT,SILVER VIEN	44.09
CWSA1611-311	ASSY,LEG ADJUSTMENT,STONE HG	44.11
CWSA1611-321	ASSY,LEG ADJUSTMENT,TITANIUM HG	44.12

CWSA1611-331	ASSY,LEG ADJUSTMENT,WHITE GLOSS	44.13
CWSA1611-341	ASSY,LEG ADJUSTMENT,BLACK ONYX	44.14
CWSA1611-351	ASSY,LEG ADJUSTMENT,LIGHT BRONZE	44.15
CWSA1611-361	ASSY,LEG ADJUSTMENT,SAPPHIRE BLUE	44.16
CW30112-260	WEIGHT STACK,260 LBS,MTP-S,9 X 10 L	45
CWHCYN050-550	SCREW, HEX,BLK, 1/2-13 X 5 1/2	46
CWKADLN050-081	NUT, ACORN, 1/2-13	47
CWKAYN050-031	LOCKNUT, NYLON INSERT, HALF, UNC, 1	48
CW12537-109	NUT,INSERT,THIN-NUT,LARGE FLANGE	49
CWTAYN031-100	SCREW, BUTTON HEAD, BLK XYLAN, 5/1	50
CWTAYN031-150	SCREW, BUTTON HEAD, BLK XYLAN,5/16	51
CWHCYN050-550	SCREW, HEX,BLK, 1/2-13 X 5 1/2	52
CWTAYN031-300	SCREW, BUTTON HEAD, BLK XYLAN,5/16	52
CWCAYN025-050	SCREW, SOCKET HEAD, BLK XYLAN	53
CWKADLN050-081	NUT, ACORN, 1/2-13	53
CWBFNN050-250	STUD, 1/2-13 X 2 1/2	54
CWKAYN050-031	LOCKNUT, NYLON INSERT, HALF, UNC, 1	55
CWWBKN031-007	WASHER, FLAT, TYPE A, SAE, 5/16 ID	55
CWWBKN038-007	WASHER, FLAT, TYPE A, SAE, 3/8 ID	56
CWTAYN031-100	SCREW, BUTTON HEAD, BLK XYLAN, 5/1	57
CWWBKN050-010	WASHER, FLAT, TYPE A, SAE, 1/2 ID X	57
CWTAYN031-150	SCREW, BUTTON HEAD, BLK XYLAN,5/16	58
CWWALYN031-008	WASHER, SPLIT, 5/16 ID, BL	58
CWWALYN038-009	WASHER, SPLIT, 3/8 ID, BLK XYLAN	59
CWWALYN050-013	WASHER, SPLIT, 1/2 ID, BLK XYLAN	60
CWCAYN038-275	SCREW, SOCKET HEAD, BLK XYLAN, 3/	61
CWBFNN050-250	STUD, 1/2-13 X 2 1/2	62
CWWBKN031-007	WASHER, FLAT, TYPE A, SAE, 5/16 ID	63
CWWBKN038-007	WASHER, FLAT, TYPE A, SAE, 3/8 ID	64
CWWBKN050-010	WASHER, FLAT, TYPE A, SAE, 1/2 ID X	65
CWWALYN031-008	WASHER, SPLIT, 5/16 ID, BL	66
CWWALYN038-009	WASHER, SPLIT, 3/8 ID, BLK XYLAN	67
CWWALYN050-013	WASHER, SPLIT, 1/2 ID, BLK XYLAN	68
CWCAYN038-275	SCREW, SOCKET HEAD, BLK XYLAN, 3/	69
CW30010-101	LABEL,WARNING STRENGTH	70
CW30146-101	ASSY, LABEL,INSTRUCTION,605	71
CW12634-101	SPRING, TORSION 90 DEG X 0.484 X 0.	72
CW31756-101	LABEL, PRECOR USA ICARIAN LINE	72
CW31770-742	LATCH PIVOTING PIN, CLR ZN	73
CWAMNN028-003	RING, RETAINING, 2-TURN, SPIRAL, SS	74
CW12633-101	ENDCAP, REC TUBE, LDP, 1 1/2 X 3 1	75
CW31077-711	ASSY, BACKPAD ADJUSTMENT, 9 HOLE, 3	76
CW30165-751	ASSY, POP PIN, 0.450 DIA HANDLE, B	77
CW31784-731	STOP PLUG, BLK ZN	78
CWAC220-901	HANDLE END CAP W/SET SCREWS, DIA 3/	84
CWGR2505-000	GRIP,RUBBER,3/4" DIA, 5"	85
CWSA1120-731	WELDMENT, SPRING STOP, BLK ZN	90
CWCP1046-101	CUT PIECE, CREPE, ROUND, .25 THICK,	91
CWAC1135-731	SPRING, COMPRESSION, 1 9/32 OD X 1	92
CWAANN100-003	RETAINING RING, EXTERNAL 1" DIA	93
CW10510-721	ASSY, PLATE, WEIGHT, 10 LBS, WRKL B	201

CW10520-721	ASSY, PLATE, WEIGHT, 20 LBS, WRKL B	202
CWAC1133-101	BUSHING, WEIGHT PLATE, LDPE PLASTIC	203
CW30173-751	ASSY, 6.00 IN WEIGHT STACK PIN AND	228
CWLDNN038-200	PIN, ROLL, DIA 3/8 X 2	250
CW30184-901	ASSY,BARREL, TOP PLATE, ALUMINUM	251
CW10550-721	PLATE, WEIGHT, MED TOP (MTP-S), 10	283
CW10550-722	PLATE, WEIGHT, MED TOP (MTP-S), 10	283
CW30131-711	SELECTOR STEM, 18 PLATE, 0 .875 DIA,	306
CW30011-101	LABEL, WARNING WEIGHT STACK	311
CW12401-106	LABEL, WEIGHT PLATE, 20 LBS/ 8 KG	319
CW12401-110	LABEL, WEIGHT PLATE, 30 LBS/ 13.6 K	323
CW12401-114	LABEL, WEIGHT PLATE, 40 LBS/ 18.2 K	326
CW12401-114	LABEL, WEIGHT PLATE, 40 LBS/ 18.2 K	327
CW12401-118	LABEL, WEIGHT PLATE, 50 LBS/ 22.7 K	330
CW12401-118	LABEL, WEIGHT PLATE, 50 LBS/ 22.7 K	331
CW12401-120	LABEL, WEIGHT PLATE, 60 LBS/ 27.3 K	332
CW12401-120	LABEL, WEIGHT PLATE, 60 LBS/ 27.3 K	333
CW12401-122	LABEL, WEIGHT PLATE, 70 LBS/ 31.8 K	335
CW12401-124	LABEL, WEIGHT PLATE, 80 LBS/ 36.4 K	337
CW12401-126	LABEL, WEIGHT PLATE, 90 LBS/ 40.9 K	339
CW12401-128	LABEL, WEIGHT PLATE, 100 LBS/ 45.5	341
CW12401-130	LABEL, WEIGHT PLATE, 120 LBS/ 54.6	343
CW12401-132	LABEL, WEIGHT PLATE, 140 LBS/ 63.6	345
CW12401-134	LABEL, WEIGHT PLATE, 160 LBS/ 72.7	347
CW12401-136	LABEL, WEIGHT PLATE, 180 LBS/ 81.8	349
CW12401-138	LABEL, WEIGHT PLATE, 200 LBS/ 90.9	351
CW12401-140	LABEL, WEIGHT PLATE, 220 LBS/ 100 K	353
CW12401-142	LABEL, WEIGHT PLATE, 240 LBS/ 109.1	355
CW12401-144	LABEL, WEIGHT PLATE, 260 LBS/ 118.2	357
CW12401-145	LABEL, WEIGHT PLATE, 280 LBS/ 127.3	358
CW12401-146	LABEL, WEIGHT PLATE, 300 LBS/ 136.4	359
CW12537-109	NUT, INSERT, THIN-NUT, LARGE FLANGE	400
CW30126-101	LABEL, VINYL, PRECOR, 3.25 X 18.0	401
CWPF3143-211	SHROUD, SHEET, STEEL, 3/32 THICK, 4 BEN	402.01
CWPF3143-221	SHROUD, SHEET, STEEL, 3/32 THICK, 4 BEN	402.02
CWPF3143-231	SHROUD, SHEET, STEEL, 3/32 THICK, 4 BEN	402.03
CWPF3143-241	SHROUD, SHEET, STEEL, 3/32 THICK, 4 BEN	402.04
CWPF3143-251	SHROUD, SHEET, STEEL, 3/32 THICK, 4 BEN	402.05
CWPF3143-261	SHROUD, SHEET, STEEL, 3/32 THICK, 4 BEN	402.06
CWPF3143-271	SHROUD, SHEET, STEEL, 3/32 THICK, 4 BEN	402.07
CWPF3143-281	SHROUD, SHEET, STEEL, 3/32 THICK, 4 BEN	402.08
CWPF3143-291	SHROUD, SHEET, STEEL, 3/32 THICK, 4 BEN	402.09
CWPF3143-311	SHROUD, SHEET, STEEL, 3/32 THICK, 4 BEN	402.11
CWPF3143-321	SHROUD, SHEET, STEEL, 3/32 THICK, 4 BEN	402.12
CWPF3143-331	SHROUD, SHEET, STEEL, 3/32 THICK, 4 BEN	402.13
CWPF3143-341	SHROUD, SHEET, STEEL, 3/32 THICK, 4 BEN	402.14
CWPF3143-351	SHROUD, SHEET, STEEL, 3/32 THICK, 4 BEN	402.15
CWPF3143-361	SHROUD, SHEET, STEEL, 3/32 THICK, 4 BEN	402.16
CWPF3143-711	SHROUD, SHEET, STEEL, 3/32 THICK, 4 BEN	402.17
CWPF3144-721	SHROUD BRKT, PLATE, STEEL, 1/8 THICK, 1	403
CWPF3145-721	SHROUD BRKT, PLATE, STEEL, 1/8 THICK, 2	404

CWTAYN031-100	SCREW, BUTTON HEAD, BLK XYLAN, 5/1	405
CWWALYN031-008	WASHER, SPLIT, 5/16 ID, BL	406
CWWBKN031-007	WASHER, FLAT, TYPE A, SAE, 5/16 ID	407
CWAC1177-101	FLOOR PROTECTOR, RUBBER, 4.563 X 4.	501
CWAC1178-101	FLOOR PROTECTOR, RUBBER, 2.563 X 6.	502
CWAC1179-101	FLOOR PROTECTOR, RUBBER, 4.813 X 2.	503